

# TC-NH6220IE-CP

H.265 2MP 20x Starlight POE IR PTZ

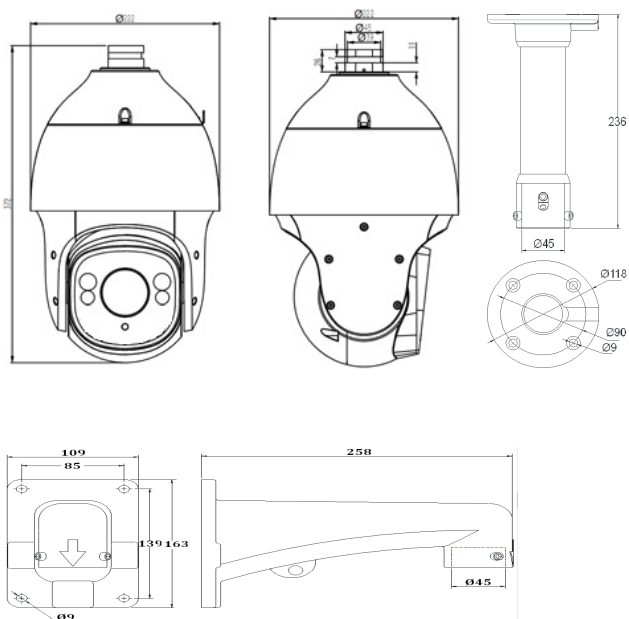
# Tiandy



## Features

- Starlight Ultra Low Light 0.002lux
- H.265 Compression
- Up to 1920x1080@30fps
- Mechanical WDR 140dB
- Smart IR, IR Range: 150m
- Optical Zoom: 20x, Digital Zoom: 16x
- Speed Max 400°/s, -16~90° Tilt Angle
- NIR, WDR, 3D DNR, HLC, Dual-ICR, AWB, AGC, BLC
- VCA Tripwire/Double Tripwire/Perimeter/Object Abandon/Object Lost/Running/Loitering/Parking/Crowd/Audio Abnormal Detection/Video Abnormal Detection
- Interface Built-in Mic, Audio I/O 1/1, Alarm I/O 1/1, MicroSD Card Slot, up to 128GB, Reset Button
- TVS 6000V, Lightning/Surge 4000V Protection, IP66
- Operating Conditions -40°C-70°C, 0~95% RHG
- CE, FCC

## Dimensions



Camera	
Image Sensor	1/2.8" CMOS
Signal System	PAL/NTSC
Minimum Illumination	Color: 0.002 Lux @(F1.5,AGC ON) B/W: 0.001Lux @(F1.5,AGC ON) 0 Lux with IR
White Balance	Auto/ ATW/ Manual
BLC	Y
HLC	Y
Smart Defog	Y
WDR	140dB
Digital Noise Reduction	3D DNR
Exposure Mode	Auto/ Manual/Iris First/ Shutter First
Shutter Time	1/1s~ 1/100000s
Day& Night	IR Cut Filter with Auto Switch
Optical Zoom	20x
Digital Zoom	16x
Privacy Masking	24 Privacy Mask Programmable; Optional Multiple Colors
Auto Focus	Auto/ Semi-automatic/ Manual
OSD	Size: 16×16, 32×32, 24×24, 48×48, 64×64, 96×96 Letters, Week, Date, Time, Total 5 Regions ,PTZ Angle Superposition
Lens	
Focal Length	4.7mm~94mm
Zoom Speed	Approx.<4s(Optical Wide-Tele)
Angle of View	55.8°(w)~3.2°(t)
Minimum Working Distance	1-1.5m(Wide-Tele)
Aperture Range	F1.5-F3.0
Pan & Tilt	
Pan Range	360° Endless
Pan Speed	Pan Manual Speed: 0.1°~240°/s Pan Preset Speed: 240°/s
Preset Accuracy	±0.2°
Tilt Range	-16°~90° (Auto Flip )
Tilt Speed	Tilt Manual Speed: 0.1°~240°/s Tilt Preset Speed: 240°/s
3D Position	Y
Number of Preset	500
Scan	8
Cruise	8, up to 32 Presets per Cruise
Pattern	8, Each One With 600s Memory or 300 Orders
Power loss recovery	Y
Guard Action	Preset/ Cruise/ Pattern/ Scan
PTZ Position Display	Y
Freeze Frame	Y
RS-485 Protocols	N/A
Infrared	
IR Irradiation Distance	150m
IR Irradiation Angle	Adjustable by Zoom
Interface	
Audio Input	1-ch Mic in(Line in Interface) Line Input 2-2.4V(p-p); Output Impedance 1KΩ, ±10%
Audio Output	1-ch Line level, Impedance: 600Ω
Ethernet	1-ch RJ45 10M/ 100M
Alarm Input	1-ch
Alarm Output	1-ch
On-board Storage	MicroSD Card Slot, up to 128GB
BNC	N/A
RS-485	N/A
RESET	Y
Extension	N/A
Network	
Max. Image Resolution	1920×1080
Main Stream	1920×1080@25/30fps; 1280×960@25/30fps; 1280×720@25/30fps; 1280×720@50/60fps 704×576@25/30fps; 704×480@50/60fps
Sub Stream	704×576@25fps/704×480@30fps 352×288@25fps/352×240@30fps 176×144@25fps/176×120@30fps
Third Stream	352×288@25fps/352×240@30fps
Image Compression	H.265/H.264/H.264M/H.264B/MJPEG
ROI Encoding	7 Dynamic Areas for Both Main and Sub Stream
Audio Compression	G711A/G711U/ADPCM/AAC
Protocols	HTTP/802.1x/FTP/SMTP/UPnP/SNMP/DNS/DDNS/NTP/RTSP/TCP/UDP/DHCP /PPPoE
Remote Connection	5 Users Access at the Same Time
IP Address	Support static, dynamic IP address, Customized MTU , Customized Network card
System Compatibility	ONVIF (Profile S), SDK,P2P



# TC-NH6220IE-CP

H.265 2MP 20x Starlight POE IR PTZ

# Tiandy

## Dimensions(Optional)

Model: DF20



DF21



### Advance

<b>Autotracking Early Warning(AEW)</b>	N/A
<b>Video Analytics(IVA)</b>	Tripwire/Double Tripwire/Perimeter/Object Abandon/Object Lost/Running/Loitering/Parking/Crowd/Audio Abnormal Detection/Video Abnormal Detection
<b>Smart-tracking</b>	N/A
<b>Intelligent Alarm</b>	Motion Detection, Mask Alarm, Port Alarm, Network Disable Alarm, IP Conflict, MAC Conflict Detection

### General

<b>Language</b>	English, Spanish, Korean, Italian, Turkish, Thai, Russian, Traditional Chinese, Simplified Chinese, Polish, French
<b>Operating Conditions</b>	-40°C-70°C, 0~95% RHG
<b>Power Supply</b>	DC12V, POE+
<b>Power Consumption</b>	12.05W(IR OFF)/21.18W(IR ON)
<b>Circuit Protection</b>	TVS 6000V, Lightning/ Surge 4000V Protection
<b>Impact Protection</b>	IP66
<b>IR LEDs</b>	4pcs
<b>White LEDs</b>	N/A
<b>Wiper</b>	N/A
<b>Dimensions</b>	372mmx222mmx222mm
<b>Weight</b>	5KG (IP PTZ Only), 8.45KG (with Packing Box)

\* The latest product information / specification can be found at <http://en.tiandy.com/>



Tiandy Technologies Co., Ltd | [en.tiandy.com](http://en.tiandy.com)

Add: No.8, Huake Rd2, Binhai Hi-Tech Industry(Huayuan), Tianjin 300384 China

Tel: +86-22-58596037 Email: [sales@tiandy.com](mailto:sales@tiandy.com)

